

## Low Standby-Power Quasi-Resonant Primary-Side Converter

### General Description

The PN8368 consists of a Low Standby-Power Quasi-Resonant (QR) Primary-Side controller and a avalanche-rugged smart power VDMOSFET, specifically designed for a high performance AC/DC charger or adaptor with minimal external components. PN8368 operates in primary-side sensing and regulation, so opto-coupler and TL431 could be eliminated. Because of internal HV Start-up circuit, the system with PN8368 can achieve less than 30mW standby power consumption (230VAC). In CV mode, multi-mode and quasi resonant technique is utilized to achieve high efficiency, avoid audible noise and make the system meeting Energy star class VI. Good load regulation is achieved by the built-in cable drop compensation. In CC mode, the current and output power setting can be adjusted externally by the sense resistor Rcs at CS pin. PN8368 offers complete protections including Cycle-by-Cycle current limiting protection (OCP), over voltage protection (OVP), over temperature protection (OTP) and CS open or short protection (CSO/SP) etc.

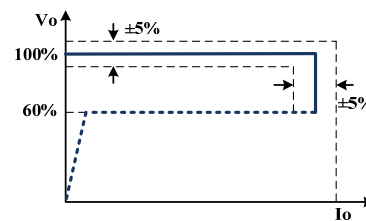
### Applications

- Switch AC/DC Adaptor
- Battery Charger

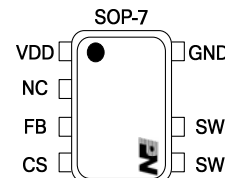
### Features

- Internal avalanche-rugged smart power VDMOSFET
- Internal HV Start-up Circuit, Standby power consumption < 30mW at 230VAC
- Multi-mode and Quasi-Resonant technique achieve high efficiency, meeting energy star class VI
- ±5% CC Regulation at Universal AC input
- Primary-side Sensing and Regulation without TL431 and Opto-coupler
- Programmable Cable Drop Compensation
- No-need Control Loop Compensation Capacitance
- Excellent Protection Coverage:
  - ✧ Over Temperature Protection (OTP)
  - ✧ VDD Under/Over Voltage Protection(UVLO&OVP)
  - ✧ Cycle-by-Cycle Current Limiting (OCP)
  - ✧ Cs Short/Open Protection (CS O/SP)

### Output Features

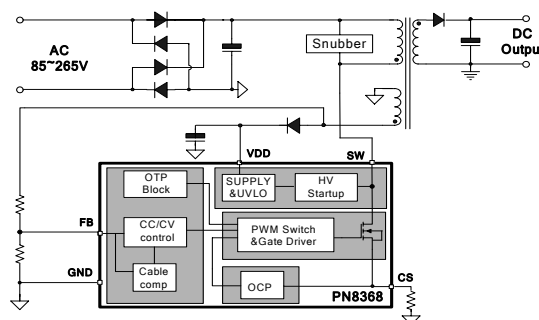


### Package/Order Information



Order codes	Package	Typical power
		85~265 V <sub>AC</sub>
PN8368SSC-R1D	SOP-7	8W

### Typical Circuit



**Pin Definitions**

Pin Name	Pin Number	Pin Function Description
VDD	1	Power supply
NC	2	No connection
FB	3	The voltage feedback from auxiliary winding. Connected to resistor divider from auxiliary winding reflecting output voltage.
CS	4	Current Sense Input
SW	5,6	Avalanche-rugged power MOSFET Drain pin. The Drain pin is connected to the primary lead of the transformer.
GND	7	Ground

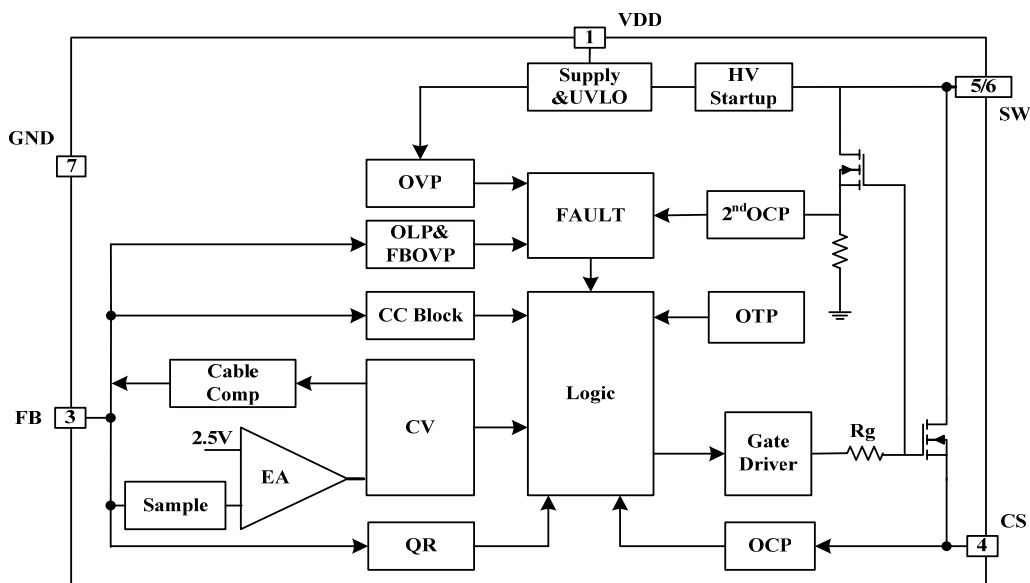
**Typical power**

Part Number	Package	Adapter <sup>(1)</sup>
		85-265 V <sub>AC</sub>
PN8368	SOP-7	8W

Note:

1. Maximum output power is tested in an adapter at 45°C ambient temperature, with enough cooling conditions.

**Block Diagram**



**Absolute Maximum Ratings**

Supply voltage Pin VDD.....-0.3~40V  
 Pin FB, CS.....-0.3~5.5V  
 High-Voltage Pin, SW..... -0.3~650V  
 Operating Junction Temperature.....-40~150°C  
 Storage Temperature Range.....-55~150°C

Lead Temperature (Soldering, 10Secs).....260°C  
 Package Thermal Resistance  $R_{\theta JC}$  (SOP-7) .....80°C/W  
 HBM ESD Protection <sup>(1)</sup> .....±4kV  
 Pulse Drain Current ( $T_{pulse}=100\mu s$ ) .....2A

Note: 1.Test standard: ESDA/JEDEC JDS-001-2014.

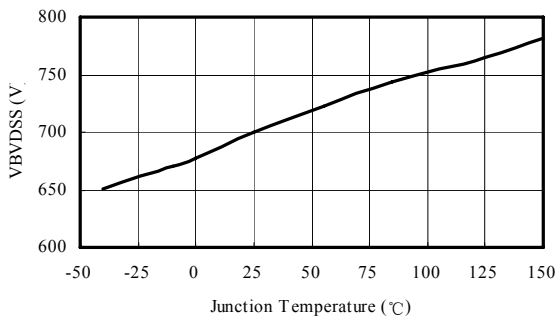
**Electrical Characteristics**

( $T_A = 25^\circ\text{C}$ ,  $V_{DD} = 21\text{V}$ , unless otherwise specified)

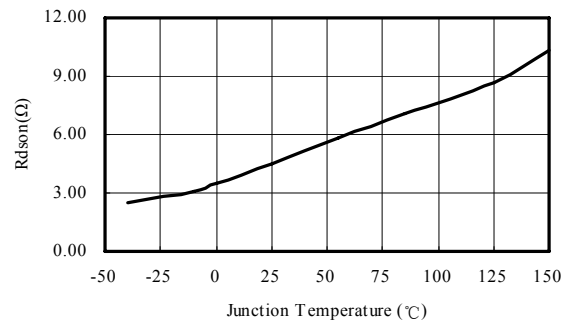
PARAMETER	SYMBOL	CONDITIONS	MIN	TYP	MAX	UNIT
<b>Power Section</b>						
Break-down voltage	BVDSS	$I_{SW} = 250\mu\text{A}$ , $T_J = 25^\circ\text{C}$	650	700		V
Drain-source on state resistance	$R_{DS(on)}$	$I_{SW} = 0.8\text{A}$ , $T_J = 25^\circ\text{C}$		4.5		$\Omega$
Off-state drain current	$I_{OFF}$	$V_{SW} = 500\text{V}$			100	$\mu\text{A}$
Start up threshold	$V_{SW\_START}$	$V_{DD} = V_{DDon} - 1\text{V}$		30		V
<b>Supply Voltage Section</b>						
Operating voltage range	$V_{DD}$		8		30	V
VDD start up threshold	$V_{DDon}$		14.5	16.5	18.5	V
VDD under voltage shutdown threshold	$V_{DDoff}$		7.5	8.5	9.5	V
VDD over voltage protection	$V_{DDovp}$		30	34	38	V
<b>Supply Current Section</b>						
VDD charge current	$I_{DD\_CH}$	$V_{DD} = V_{DDon} - 1\text{V}$ , $V_{SW} = 100\text{V}$		0.85		mA
Operating current, switching	$I_{DD}$	$V_{DD} = V_{DDon} + 1\text{V}$	0.3	0.5	0.7	mA
Operating current after fault	$I_{DD\_FAULT}$	$V_{DD} = 15\text{V}$ after fault		0.5		mA
<b>Current Sense Section</b>						
Current sense threshold	$V_{TH\_OC}$		485	500	515	mV
Maximum Current sense threshold	$V_{TH\_OC\_MAX}$			550		mV
Minimum CS threshold	$V_{cs\_min}$			170		mV
Leading Edge Blanking time	$T_{LEB}$			300		ns
Maximum Ton	$T_{onmax}$			50		$\mu\text{s}$
OCP propagation delay	$T_{D\_OC}$			100		ns
<b>FB Section</b>						

PARAMETER	SYMBOL	CONDITIONS	MIN	TYP	MAX	UNIT
Reference voltage for feedback threshold	$V_{REF\_CV}$		2.475	2.5	2.525	V
Output over voltage protection threshold	$V_{FBOVP}$		2.85	3	3.15	V
Output under voltage threshold	$V_{UVP}$			1.55		V
Maximum cable compensation current	$I_{cable}$	$V_{FB}=0V$	22	24	26	uA
Minimum Toff	$T_{offmin}$			5		us
Maximum Toff	$T_{offmax}$			2.2		ms
Output under voltage protection Blanking time	$T_{UVP}$	$F_{SW}=50kHz$	40		64	ms
<b>Thermal Section</b>						
Thermal shutdown temperature threshold	$T_{SD}$		135	150		°C
Thermal shutdown hysteresis	$T_{HYST}$			30		°C

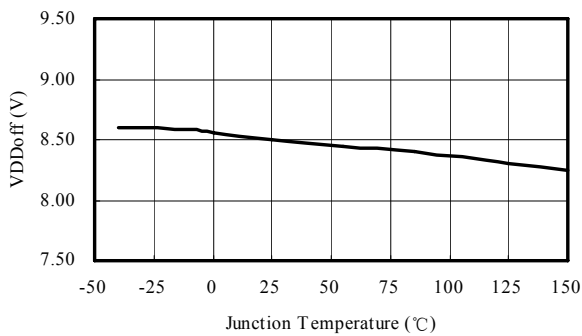
**Typical Characteristics Plots**



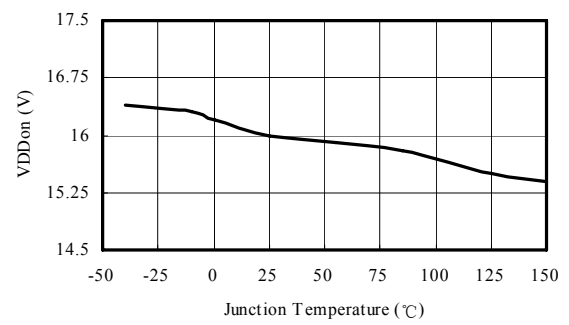
(a) BV vs Tj



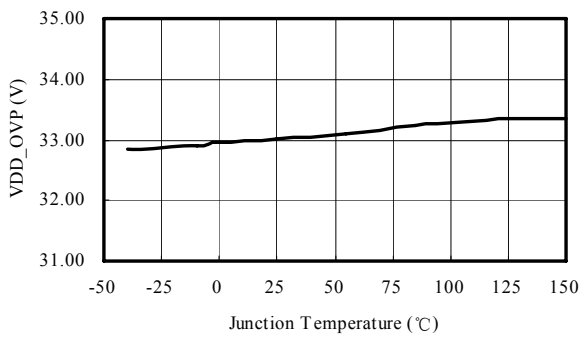
(b) Rdson vs Tj



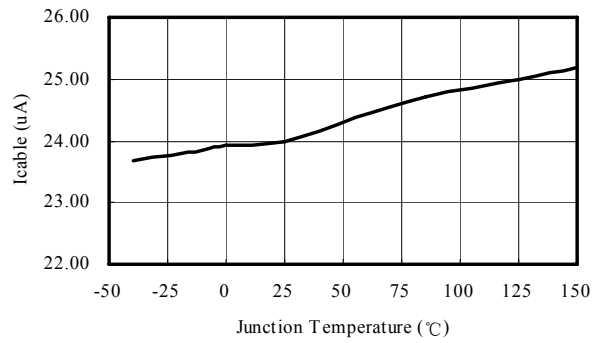
(c) V<sub>DDoff</sub> vs Tj



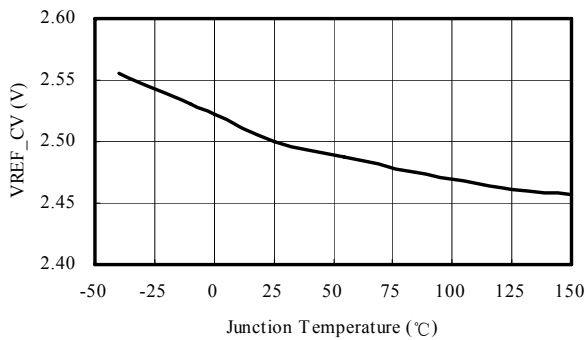
(d) V<sub>DDon</sub> vs Tj



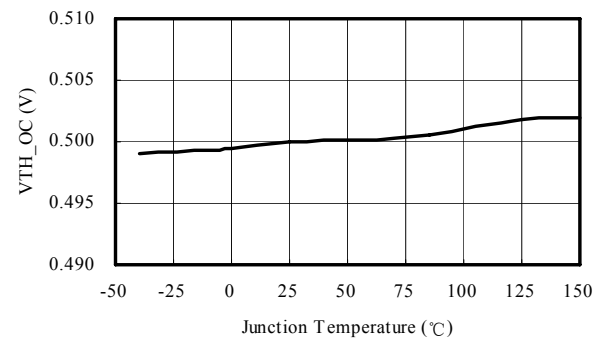
(e) VDD\_OVP vs Tj



(f) Icable vs Tj



(g) V<sub>REF\_CV</sub> vs Tj



(h) V<sub>TH\_OC</sub> vs Tj

## Functional Description

The PN8368 is a high performance CC/CV primary-side controller. PN8368 operates in primary-side sensing and regulation, so opto-coupler and TL431 could be eliminated. Proprietary built-in CV and CC control can achieve high precision CC/CV control meeting most charger and adaptor application requirements. Internal HV Start-up circuit and the chip's low consumption help the system to meet strict standby power standard.

### 1. HV Start up Control

At start up, the internal high-voltage start-up circuit provides the internal bias and charges the external VDD capacitor, so that PN8368 starts up quickly. When VDD reaches  $V_{DDon}$ , the device starts switching and the internal high-voltage current source stops charging the capacitor. The device keeps in normal operation provided as long as VDD keeps above  $V_{DDoff}$ . After startup, the bias is supplied from the auxiliary transformer winding, the current of HV start-up circuit is designed to be very low so that the power consumption is very low.

### 2. CC Operation Mode

In CC operation mode, the PN8368 captures the auxiliary flyback signal at FB pin through a resistor dividing-network. The pulse width of the auxiliary flyback signal determines the PN8368 oscillator frequency. The higher the output voltage is, the shorter the pulse width is, and the higher the chip oscillator frequency is, thus the constant output current can be achieved.

The current waveform of DCM mode is shown in Figure 1. During MOSFET turn-on time, the current in the primary winding ( $I_{pri}$ ) ramps up. When MOSFET turns off, the energy stored in the primary winding is transferred to the secondary side, so the peak current in the secondary winding is

$$I_{sec\_pk} = I_{pri\_pk} \times N_{ps} \quad (1)$$

The output current is

$$I_O = \frac{I_{sec\_pk}}{2} \times \frac{T_{demag}}{T_p} = \frac{1}{2} N_{ps} \frac{V_{CS}}{R_{sense}} \frac{T_{demag}}{T_p} \quad (2)$$

Because  $V_{ipk}$  is constant and  $T_p$  is equal to  $t_{ow}$  times  $T_{demag}$ , the output current  $I_O$  is constant.

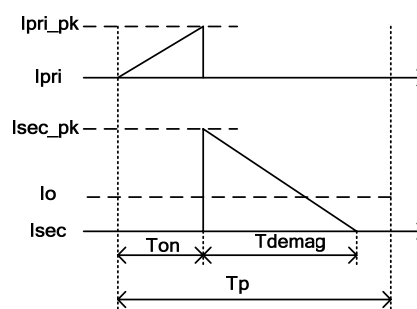


Figure 1 The current waveform of DCM mode

### 3. CV Operation Mode

In CV mode, PN8368 uses a pulse to sample  $V_{FB}$  and it is hold until the next sampling. The sampled voltage is compared with  $V_{REF\_CV}$  and the error is amplified. The error amplified output reflects the load condition and controls the switching off time to regulate the output voltage, thus constant output voltage can be achieved.

The relationship between the output voltage and  $V_{REF\_CV}$  is

$$V_O = (V_{REF\_CV} \times \frac{R1 + R2}{R2}) \times \frac{N_S}{N_{AUX}} \quad (3)$$

$N_S$  means Secondary winding,  $N_{AUX}$

means Auxiliary winding

The PN8368 operates in PFM\_QR mode during full load mode, since the peak current ( $I_{peak}$ ) of MOSFET is constant, the chip frequency decreases while the output current decreases. When the switching frequency approaches to 25kHz, the PN8368 enters PWM\_QR mode, the chip frequency decreases slowly while the output current decreases, the  $I_{peak}$  decreases while the output current decreases. Therefore the PN8368 can avoid audible noise, while achieving high efficiency at 25% load conditions. When  $V_{cs}$  decreases to 170mV, the PN8368 enters Standby mode. In this mode,  $I_{peak}$

keeps around constant, the chip oscillator frequency decreases while the output current decreases. Figure 2 illustrates the relations of the switching frequency,  $I_{peak}$  and Loading for PN8368.

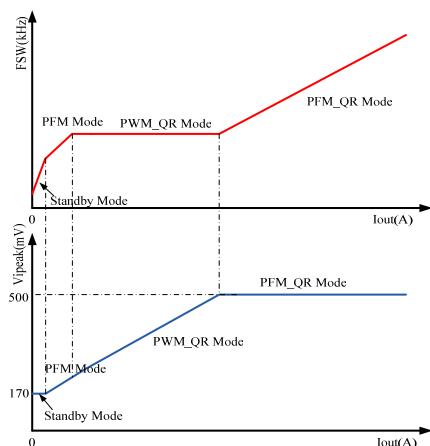


Figure 2 The Switching Frequency, Vipeak VS. LOAD

#### 4. Current Sensing and Leading Edge Blanking

Cycle-by-Cycle current limiting is offered in PN8368. The switch current is detected by a sense resistor at CS pin. The CC set-point and maximum output power can be externally adjusted by external current sense resistor at CS pin. An internal leading edge blanking circuit chops off the sensed voltage spike at initial power MOSFET on-state so that the external RC filtering on sense input is no longer needed.

#### 5. Programmable Cable Drop Compensation

In PN8368, an offset voltage is generated at FB pin by an internal current flowing into the divider resistor, as shown in Figure 3. The Cable Drop Compensation block compensates the voltage drop across the cable. As the load current decreases from full load to no load, the voltage drop across the cable decreases. It can be programmed by adjusting the external resistor R2 or R1 at FB pin. The maximum compensation is

$$\frac{V_{cable}}{V_o} = \frac{I_{cable} \times (R2 // R1)}{2.5V} \quad (4)$$

Because of the influence of the chip's sampling position and devices of the system, the actual

maximum compensation is less than theoretical value.

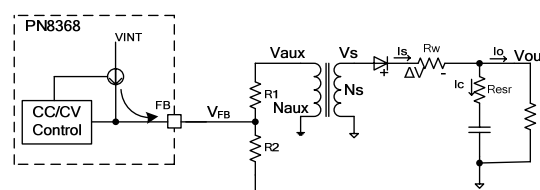


Figure 3 Icable

#### 6. Reference Negative Temperature Compensation

As shown in Figure 3, the voltage of FB pin is

$$V_{FB} = K(V_o + \Delta V), K = \frac{R2 \times N_{AUX}}{(R1 + R2) \times N_s} \quad (5)$$

Where  $\Delta V$  has a negative temperature coefficient, K is a constant.

In PN8368, the voltage reference uses the negative temperature compensation technology. At room temperature, the voltage reference is 2.5V. The voltage reference ( $V_{REF\_CV}$ ) decreases while the temperature of chip increases. The reference negative temperature compensation block compensates the  $\Delta V$ , thus the output voltage keeps constant at full range of temperature. The reference negative temperature compensation improves output precision.

#### 7. Quasi-Resonant Switching

The PN8368 incorporates a unique proprietary quasi-resonant switching scheme that achieves valley-mode turn on for every switching cycle in CV mode. This unique feature greatly reduces the switching loss. The actual switching frequency can vary slightly cycle by cycle, providing the additional benefit of reducing EMI.

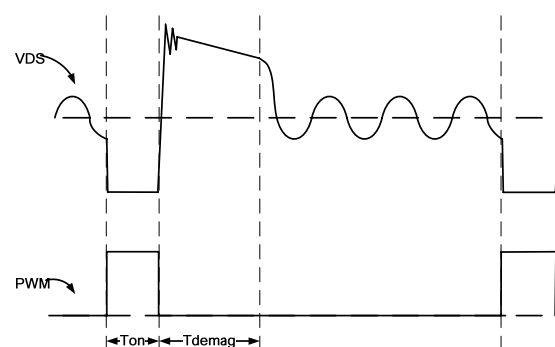


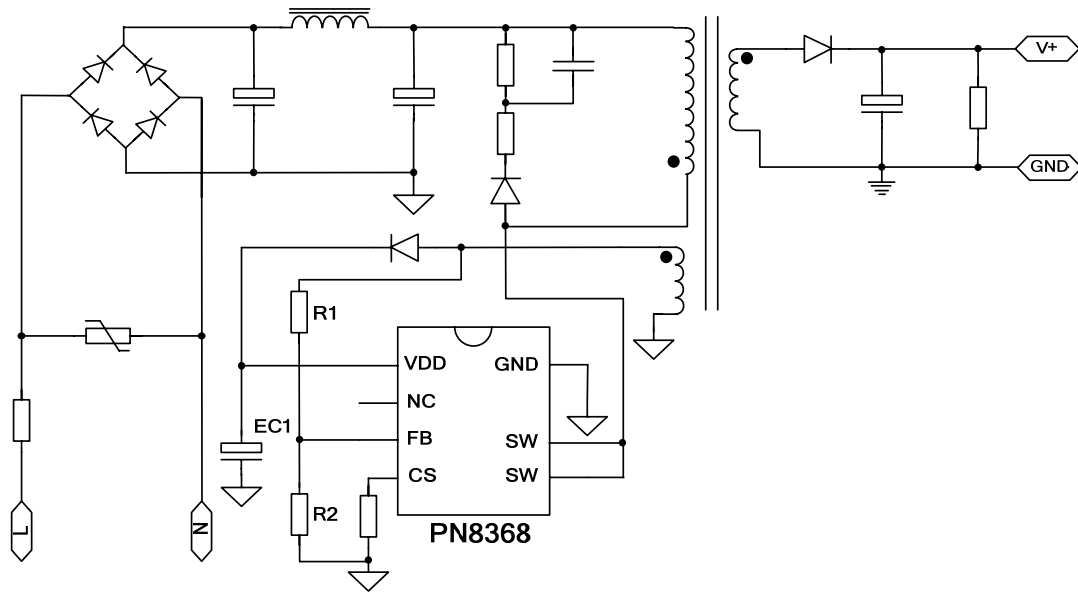
Figure 4 QR Mode

## 8. Protection Control

The PN8368 has several self-protection functions, such as Cycle-by-Cycle current limiting (OCP), Over-Voltage Protection, Over-Temperature Protection, Feedback Loop open Protection, Output short circuit Protection, CS resistor open/short circuit Protection and Under Voltage Lockout on VDD. All protections are self-recovered.



**Typical Application**

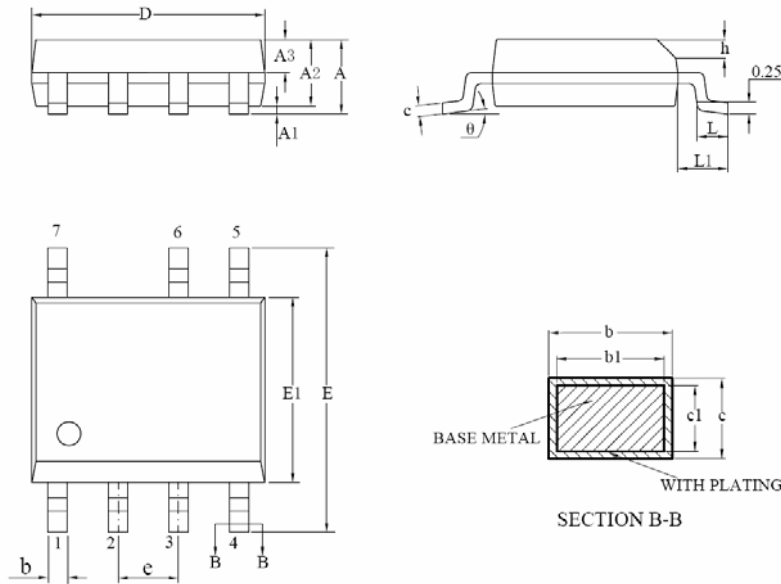


**Component Parameter and Layout Considerations:**

1. VDD capacitor EC1 should be placed at the nearest place from the VDD pin and the GND pin.

**Package Information**

**SOP-7 Package Information**



Size Symbol	Min.(mm)	Typ.(mm)	Max.(mm)	Size Symbol	Min.(mm)	Typ.(mm)	Max.(mm)
A	—	—	1.75	D	4.70	4.90	5.10
A1	0.10	0.15	0.225	E	5.80	6.00	6.20
A2	1.30	1.40	1.50	E1	3.70	3.90	4.10
A3	0.60	0.65	0.70	e	1.27BSC		
b	0.39	—	0.48	h	0.25	—	0.50
b1	0.38	0.41	0.43	L	0.50	—	0.80
c	0.21	—	0.26	L1	1.05BSC		
c1	0.19	0.20	0.21	θ	0°	—	8°

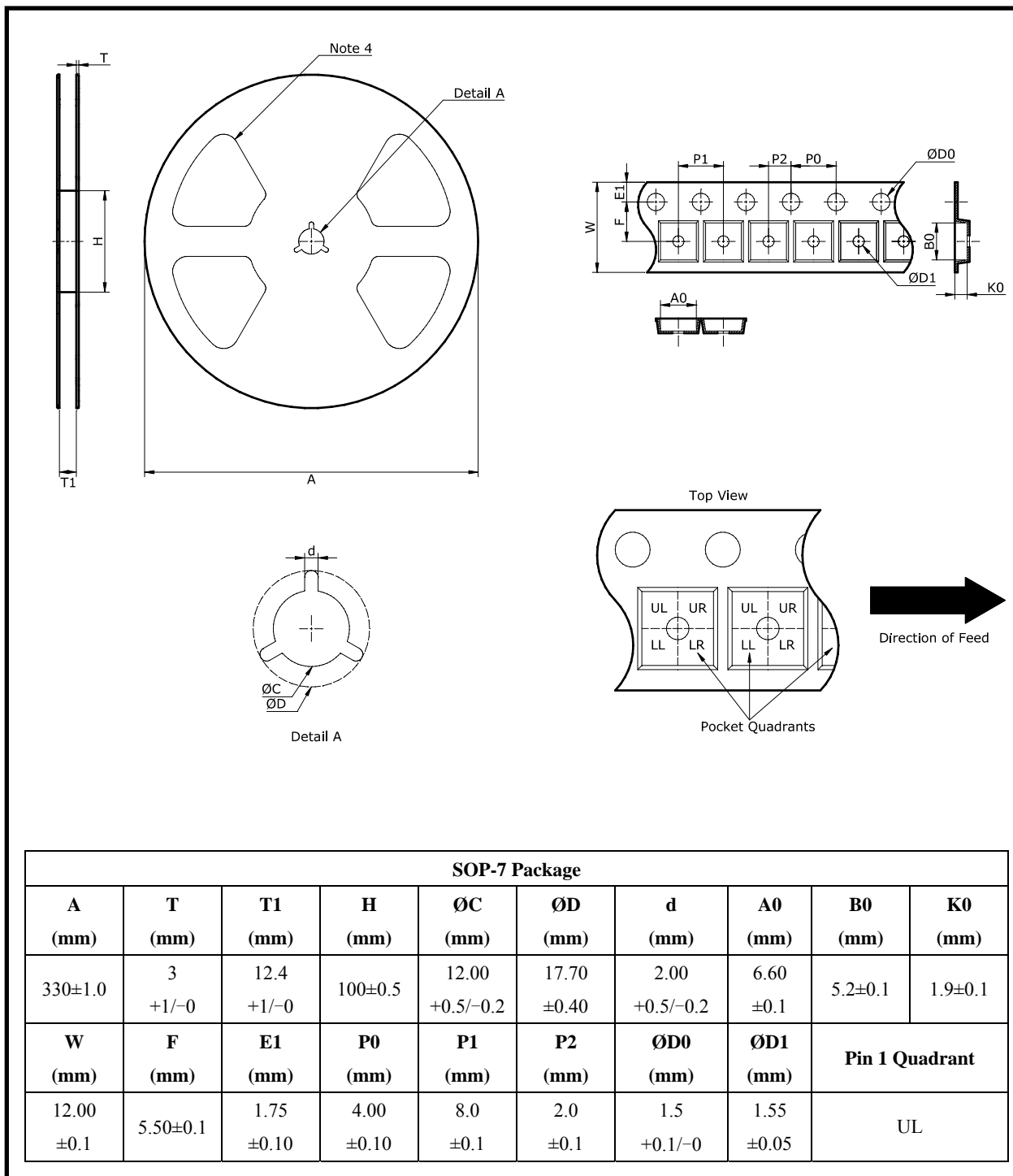
TOP MARK	Package
PN8368 YWWXXXXX	SOP-7

Note: Y: Year Code; WW: Week Code; XXXXX: Internal Code

Notes:

1. This drawing is subjected to change without notice.
2. Body dimensions do not include mold flash or protrusion.

**Tape and Reel Information**



Notes:

1. This drawing is subjected to change without notice.
2. All dimensions are nominal and in mm.
3. This drawing is not in scale and for reference only. Customer can contact Chipown sales representative for further details.
4. The number of flange openings depends on the reel size and assembly site. This drawing shows an example only.

**Important Notice**

Wuxi Chipown Microelectronics Co. Ltd. reserves the right to make changes without further notice to any products or specifications herein. Wuxi Chipown Microelectronics Co. Ltd. does not assume any responsibility for use of any its products for any particular purpose, nor does Wuxi Chipown Microelectronics Co. Ltd assume any liability arising out of the application or use of any its products or circuits. Wuxi Chipown Microelectronics Co. Ltd does not convey any license under its patent rights or other rights nor the rights of others.